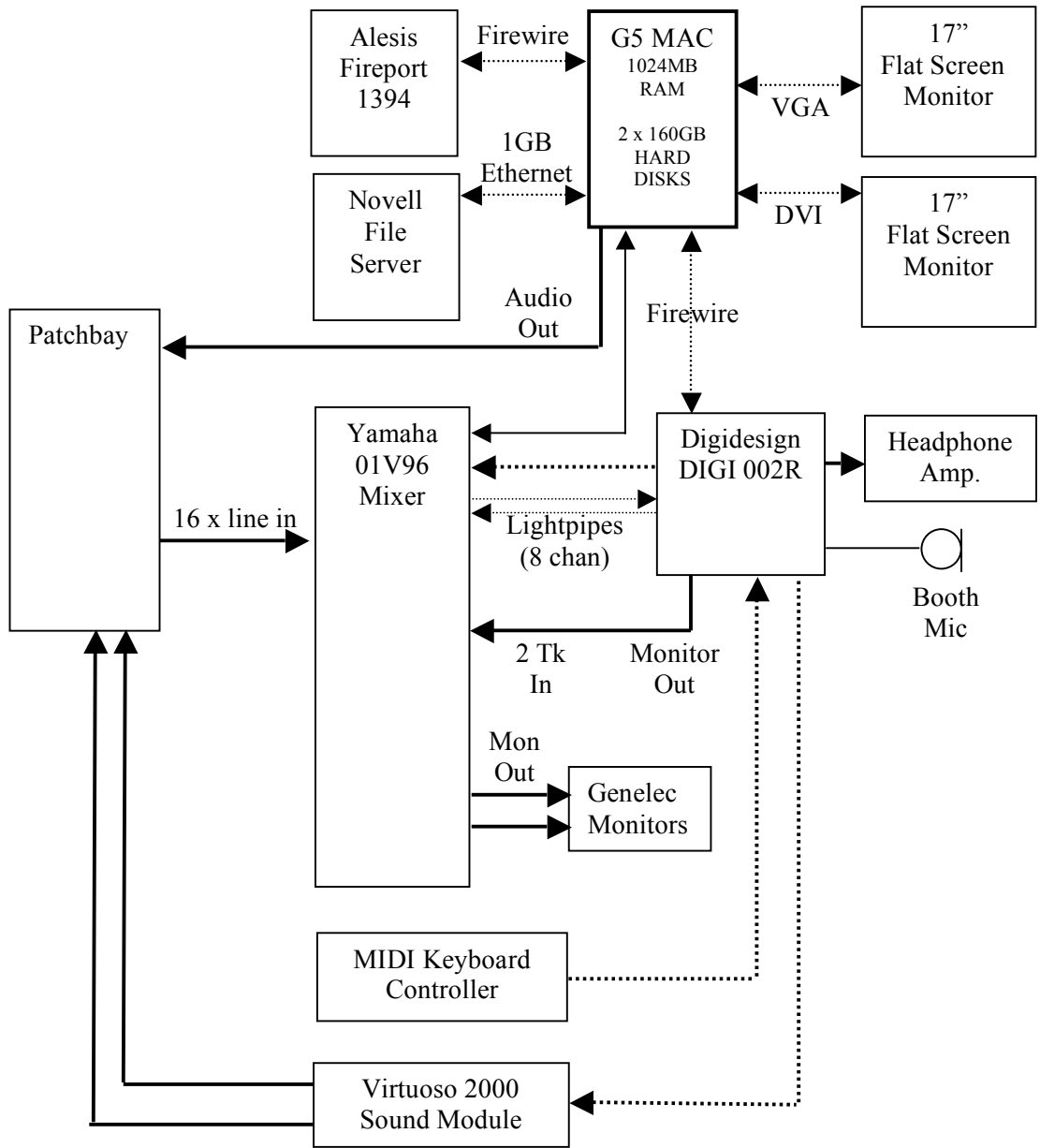


Block Diagram



Note 1: Audio is routed from the 01V96 to the DIGI002R via the Lightpipe optical interface.

Note 2: Audio Out from the computer is for the Quicktime Musical Instruments (General MIDI).

Note 3: The DIGI002R MIDI OUT port 2 is used to control scene memories in the 01V96.

